

Technische Documentatie Messing Magneetventiel 1/4" - 3/8" - 1/2" | 2/2 NC direct gestuurd

FEATURES

Solenoid valve that provides maximum flow rate and requires little mounting space - valve body only 25x25x40 mm, orifice size 4,5 mm!



APPLICATION

On/Off control of neutral fluids.

GENERAL

Pressure differential:	0 – 16 bar
Safe static pressure:	25 bar
Fluids:	Water, air, gasses, light oils, Compressed air condensate
Seal material:	NBR, EPDM, FPM

FUNCTION AND DESIGN

The valve is closed by the force of the core spring.
When coil is energized, it pulls the core and the valve opens.
Valve body is made of brass or stainless steel, other wetted parts are made of stainless steel.

TECHNICAL DATA

1. VALVE:

Fluid temperature:	depends on seal material and fluid type
Ambient temperature:	+55°C max
Viscosity:	approx. 21mm ² /s
Response times*:	opening approx. 10 to 20 ms closing approx. 25 ms

*Measured with water at 6 bar.

Otherwise response times depend on fluid type and density.

2. SOLENOID

Operating voltage:	230, 115, 48, 24 V; 50/60 Hz 24, 12 VDC (Other voltages on request)
Voltage tolerance:	AC ±10% DC ±5%
Coil power:	AC inrush 30 VA (TM30); 46 VA (TM35) hold 17 VA / 10 W (TM30); 25 VA / 15 W (TM35) DC: 10 W (TM30); 18 W (TM35)
Duty cycle:	100% ED
Cycling rate:	approx. 1000 cpm
Protection:	IP65 (EN 60529)
Insulation class:	F (class H wire used)

Technische Documentatie Messing Magneetventiel 1/4" - 3/8" - 1/2" | 2/2 NC direct gestuurd

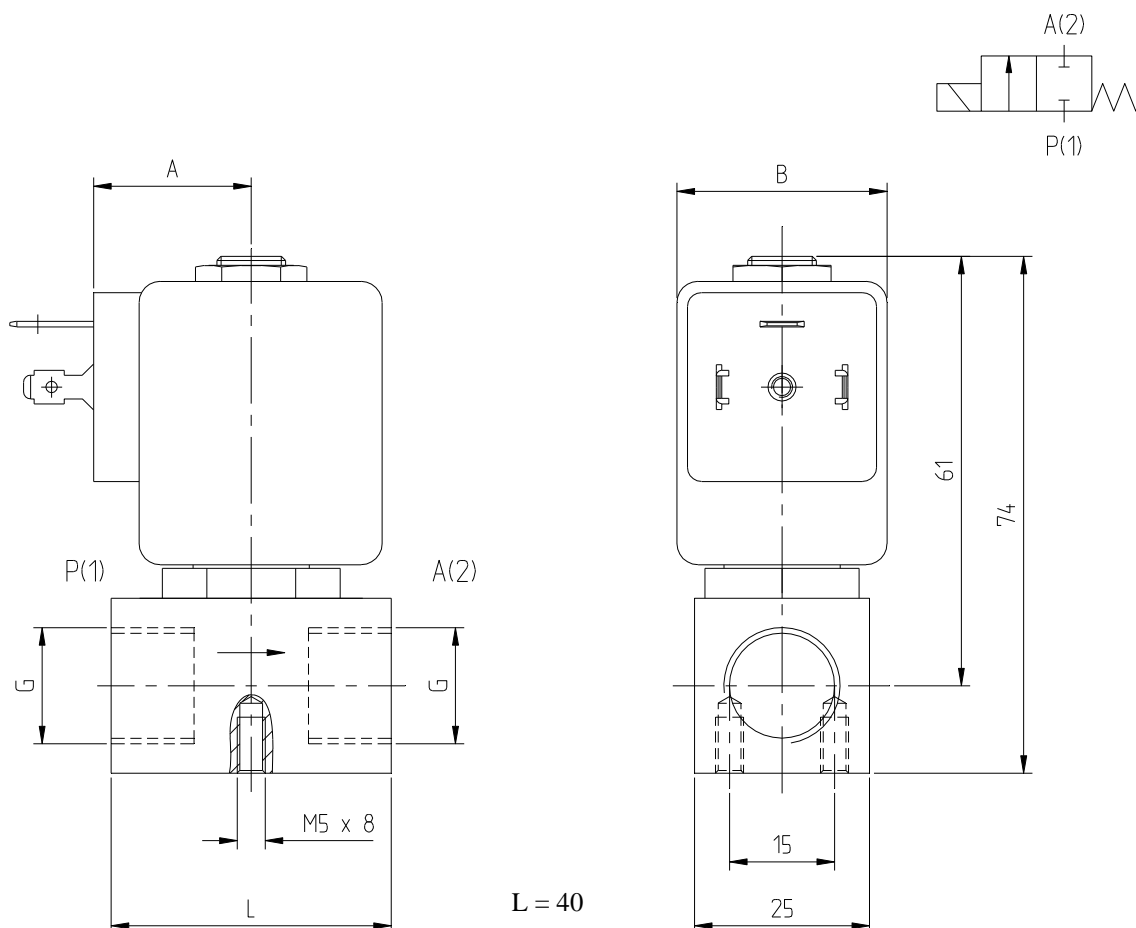
INSTALLATION

- We recommend installing the valve horizontally with solenoid upright.
- Valve ports have female threads to ISO 228. NPT threaded ports available on request.
- We strongly recommend installing a strainer before the valve.
- Electrical connection: cable plug to ISO 4400

OPTIONS

- Explosionproof coils to EN 50014, EN 50028, EN 50019, CENELEC with certificate available on request.
- Socket with built-in LED indicator and voltage peak suppression available on request.

DIMENSIONS (mm)



Coil type	A	B
TM30	22.5	30
TM35	28	50

Technische Documentatie Messing Magneetventiel 1/4" - 3/8" - 1/2" | 2/2 NC direct gestuurd

Pipe size	Orifice size DN [mm]	Flow coefficient		Pressure differential		Material		Weight (kg)	Coil	Model	Voltage/frequency
		Kv [l/min]		Min	Max	Body	Seal				
		water	air	bar	bar						
G1/4	4,5	7,5	450	0	16	RVS	FPM	0,52	TM 30	D4N	230/AC 115/AC 48/AC 24/AC
								0,62	TM 35		24/DC
G3/8				0	16	RVS	FPM	0,52	TM 30		230/AC 115/AC 48/AC 24/AC
								0,62	TM 35		24/DC
G1/4				0	16	Ms/Brass	FPM	0,35	TM 30	D4K	230/AC 115/AC 48/AC 24/AC
								0,45	TM 35		12/DC 24/DC
G3/8				0	16	Ms/Brass	FPM	0,35	TM 30		230/AC 115/AC 48/AC 24/AC
								0,45	TM 35		24/DC
G1/2				0	16	Ms/Brass	FPM		TM 30		230/AC 115/AC 48/AC 24/AC
								0,45	TM 35		12/DC 24/DC

NIKI